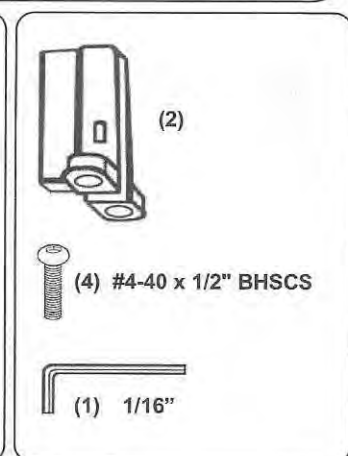
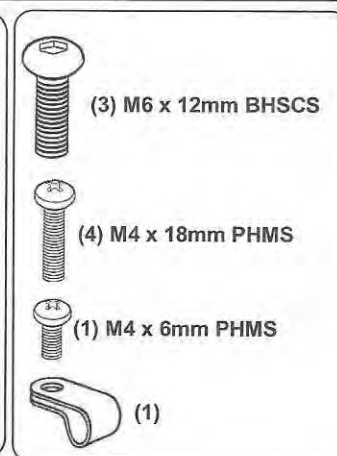
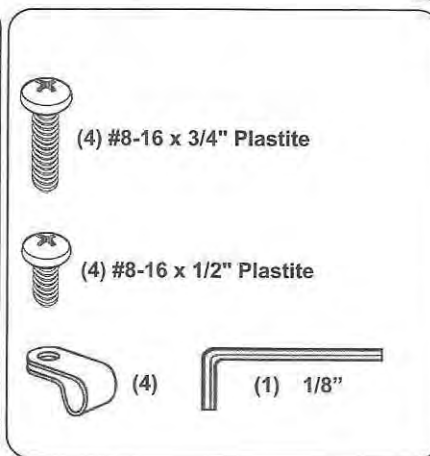
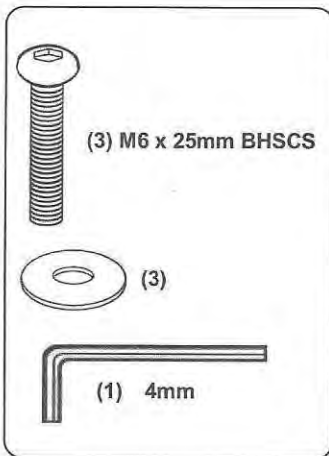
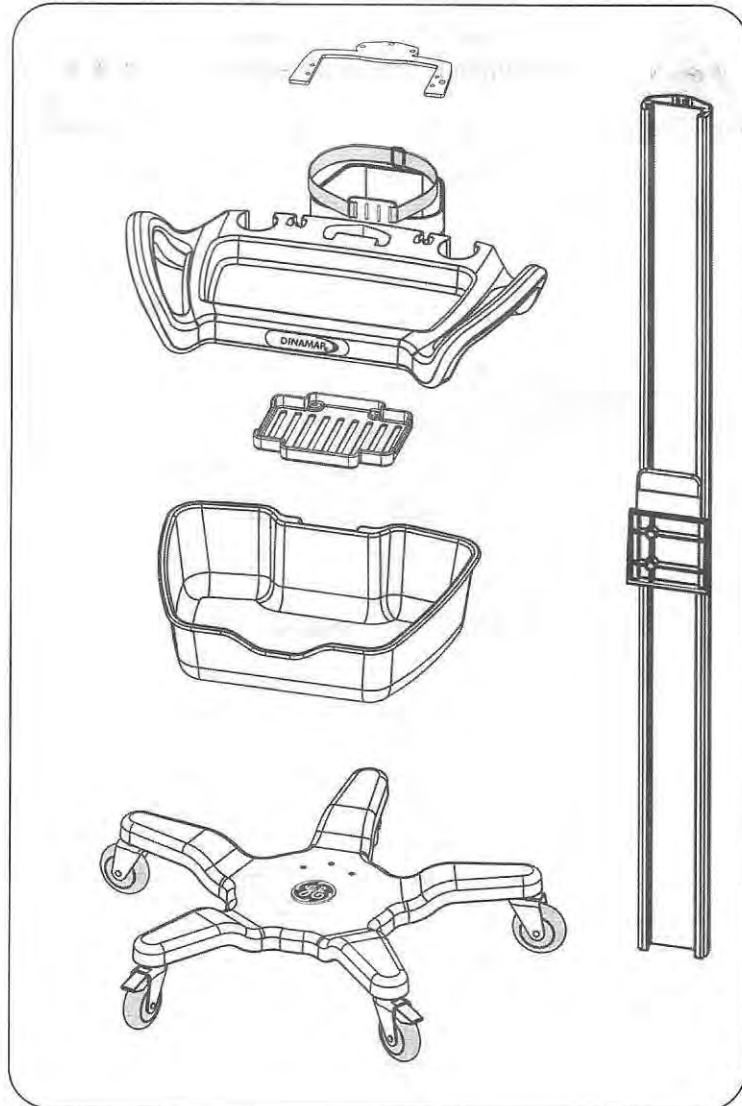
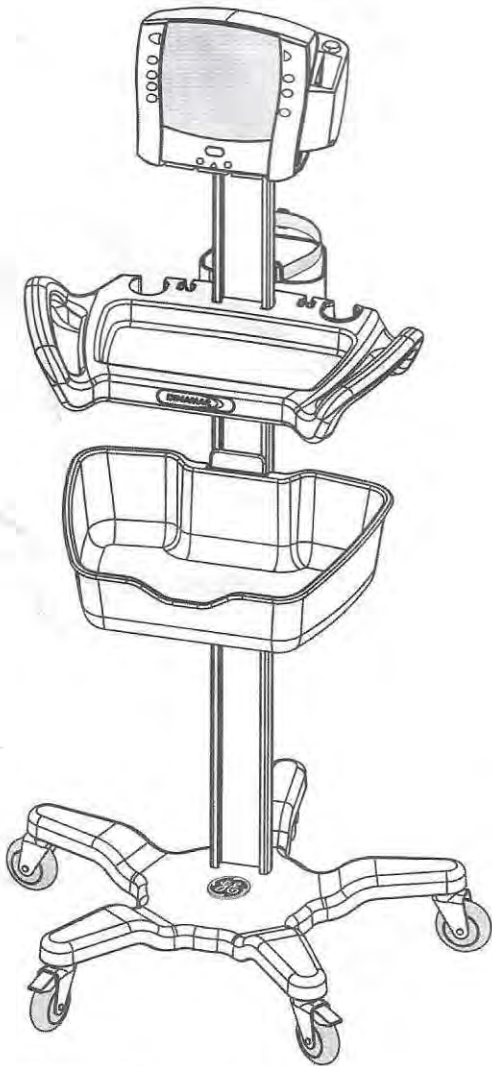




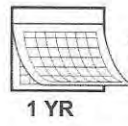
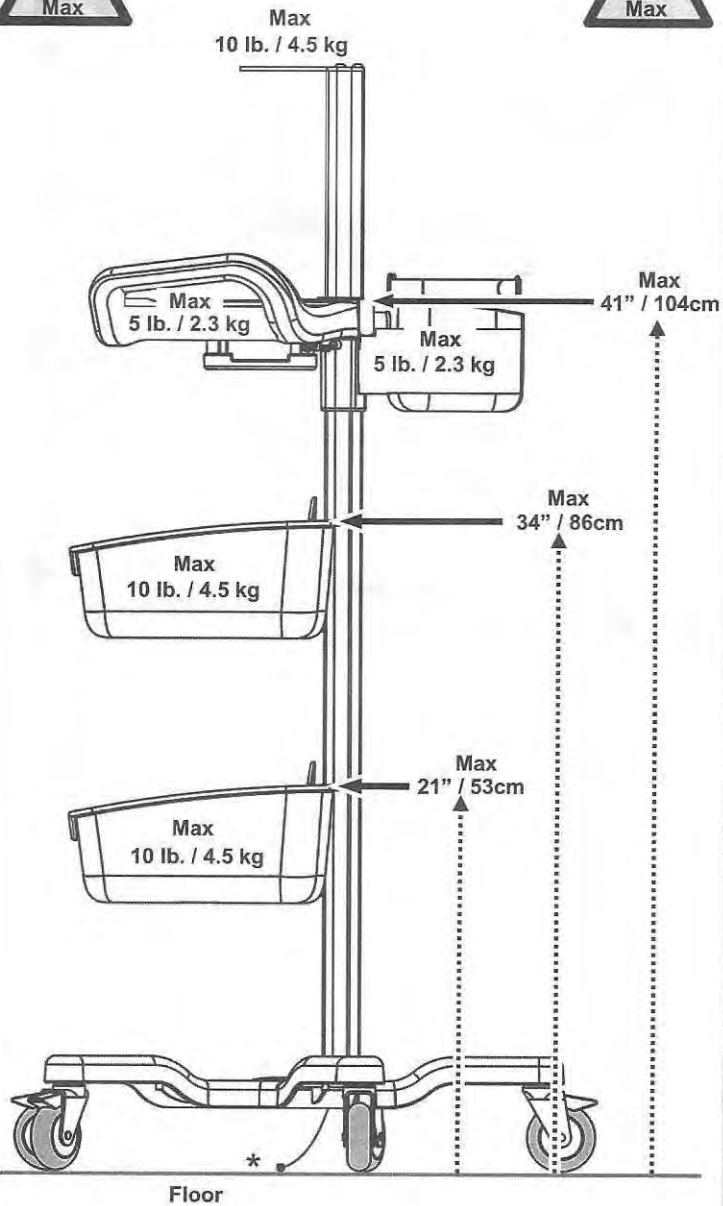
DINAMAP® Rollstand with
CARESCAPE V100 / ProCare Mount

REF 2073250-002 (41in [104cm])
2073251-002 (36in [91cm])



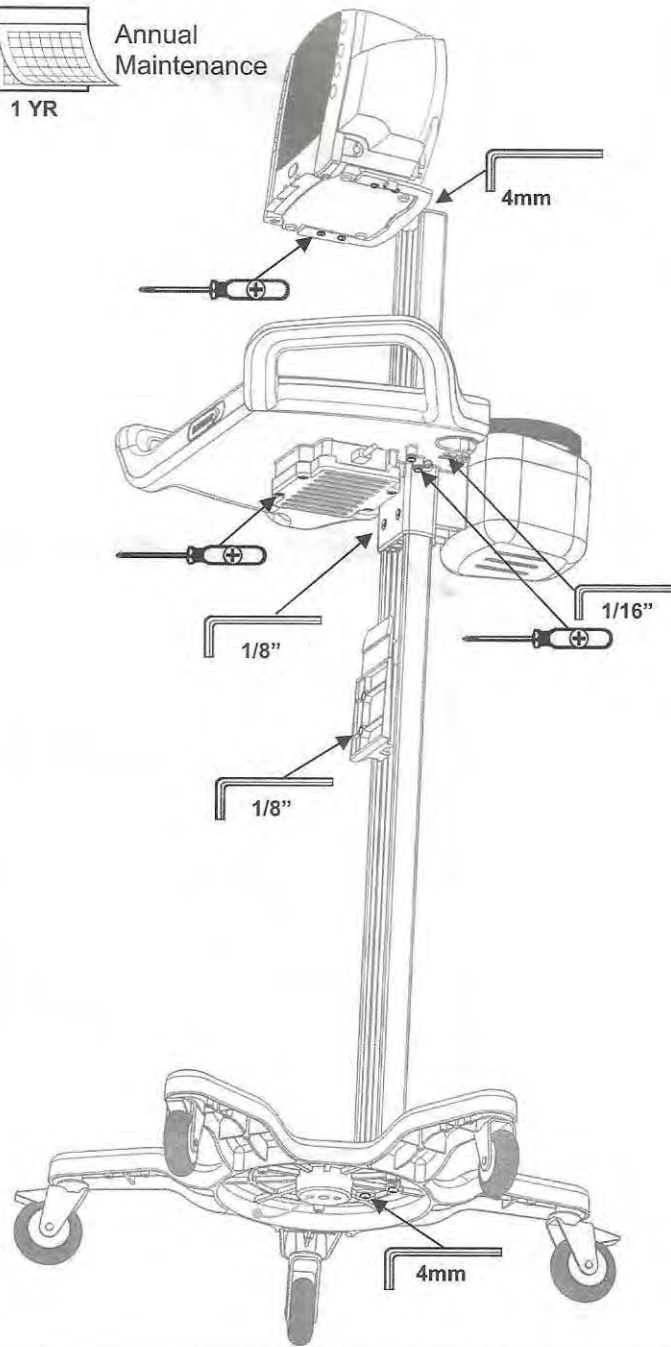


Maximum Load Ratings and Maximum Placement Heights

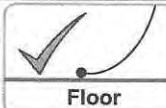


Annual Maintenance

1 YR



*Anti-Static Drag Wire



Floor



Floor

Pull to extend if not touching floor.

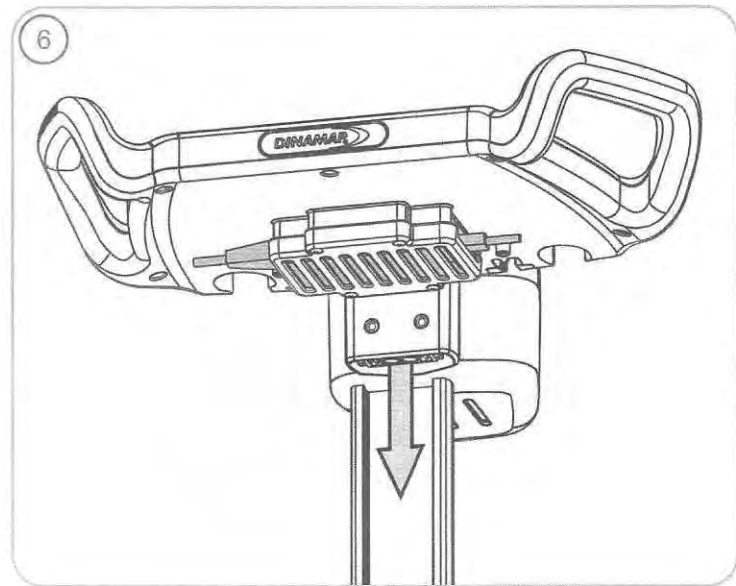
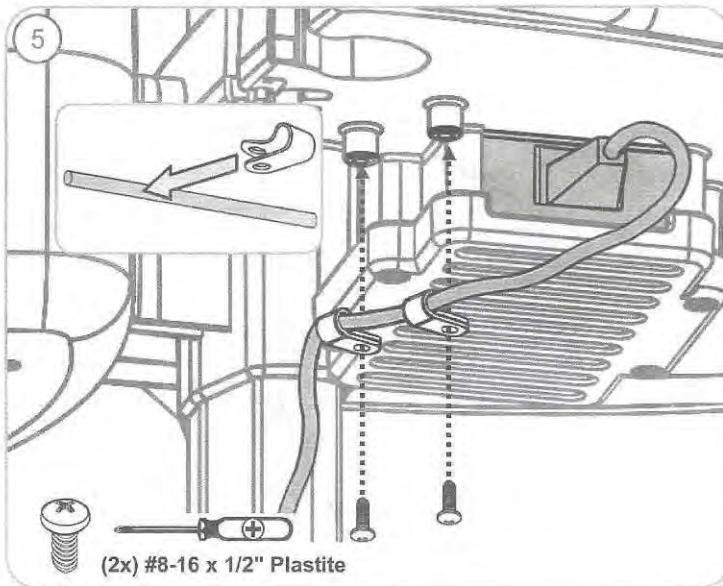
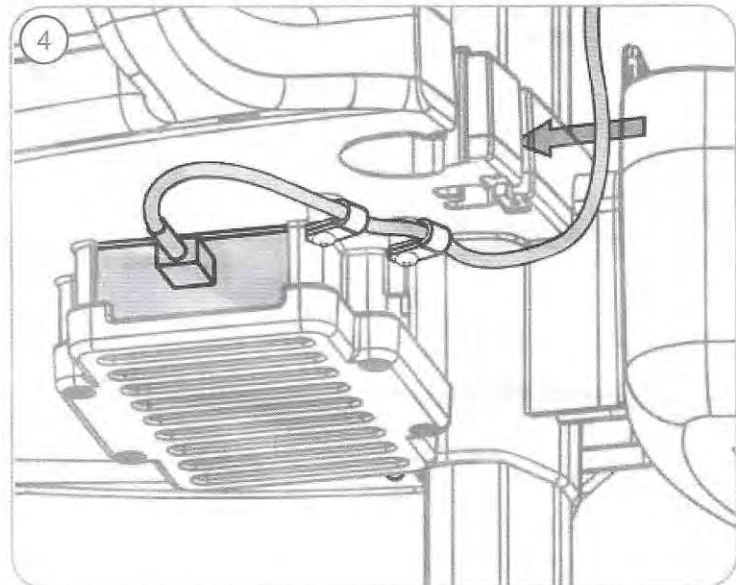
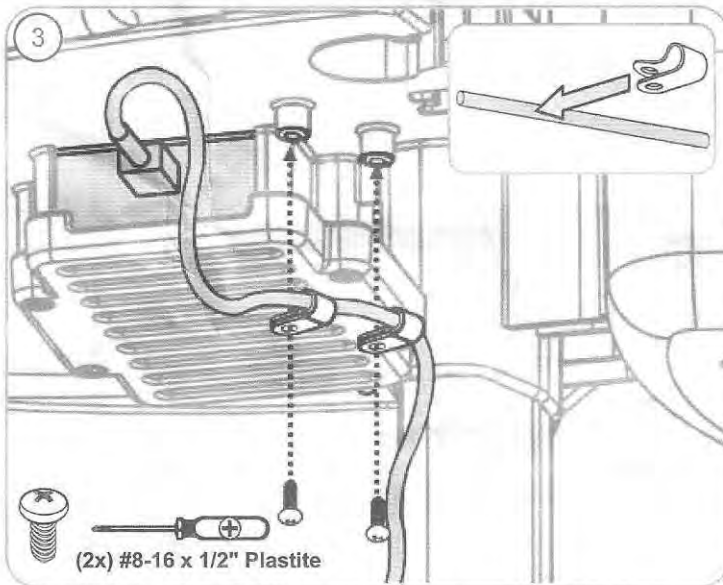
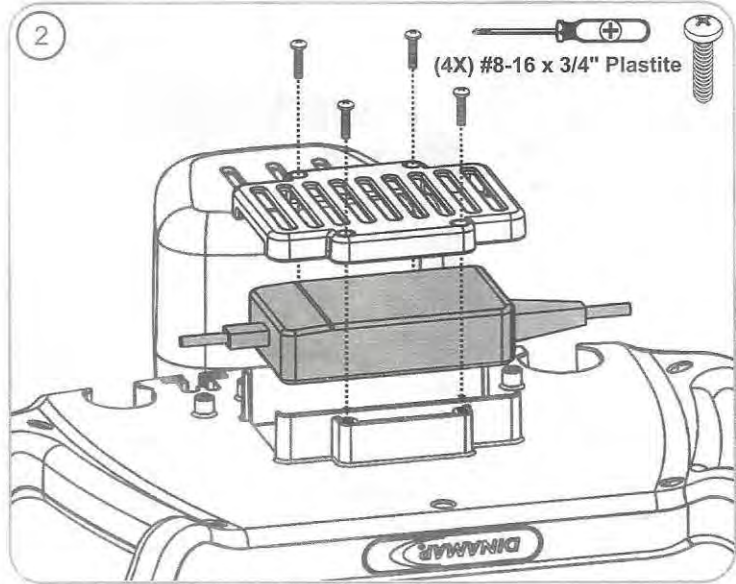
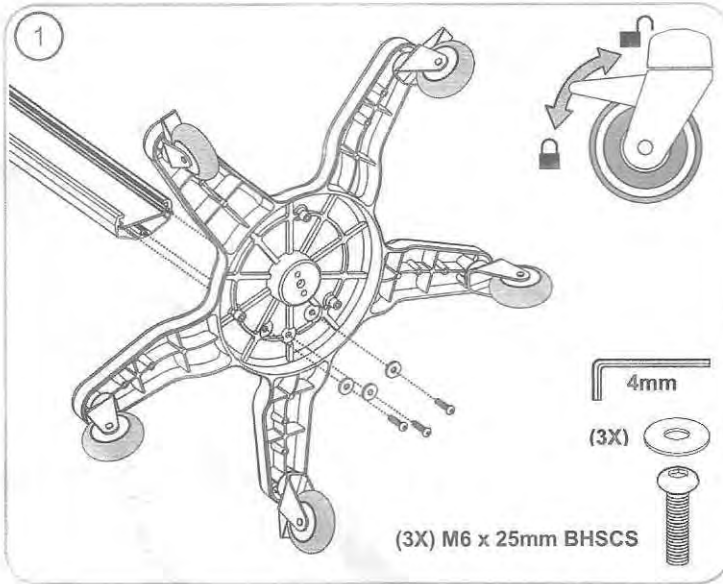
GCX

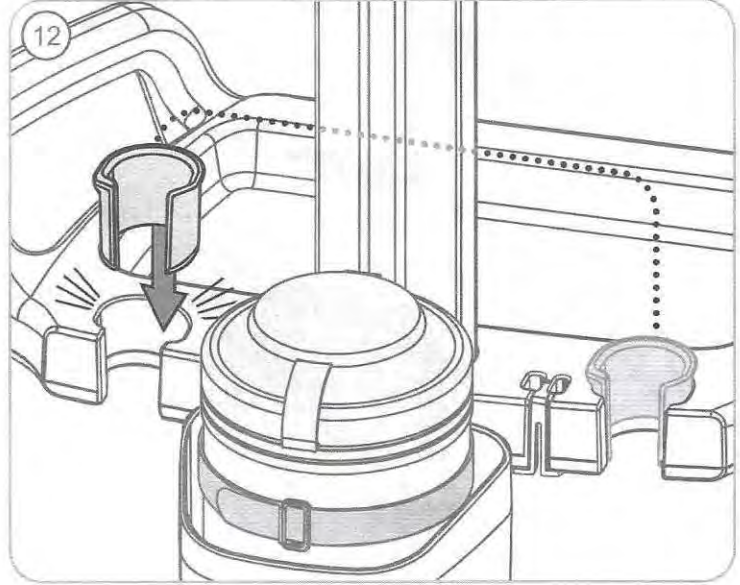
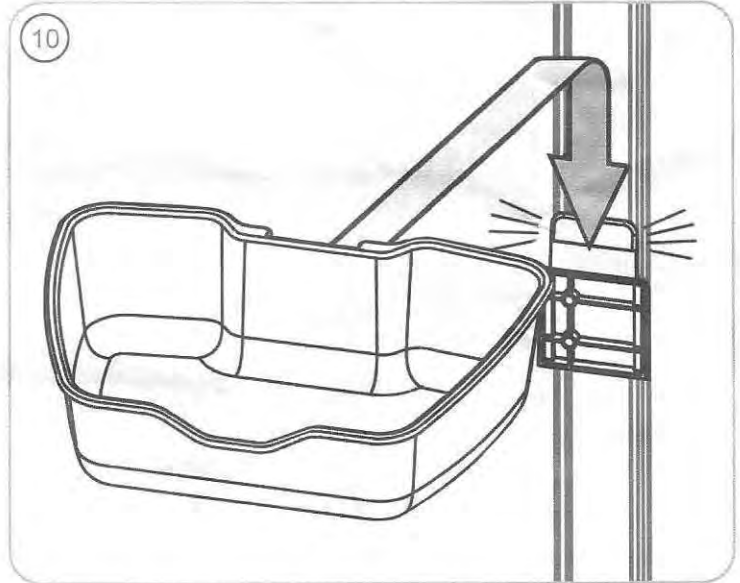
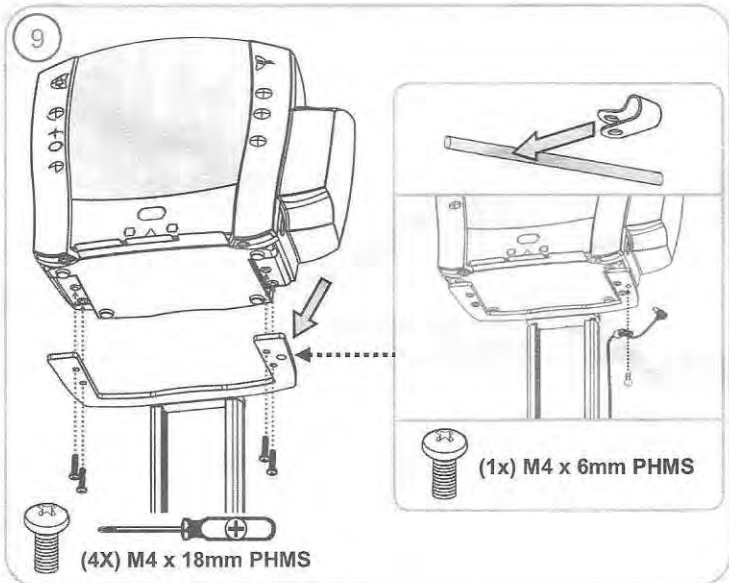
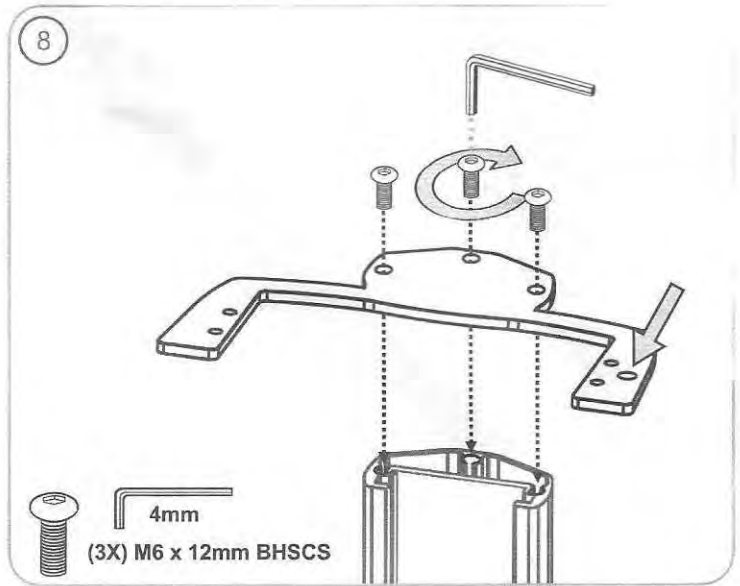
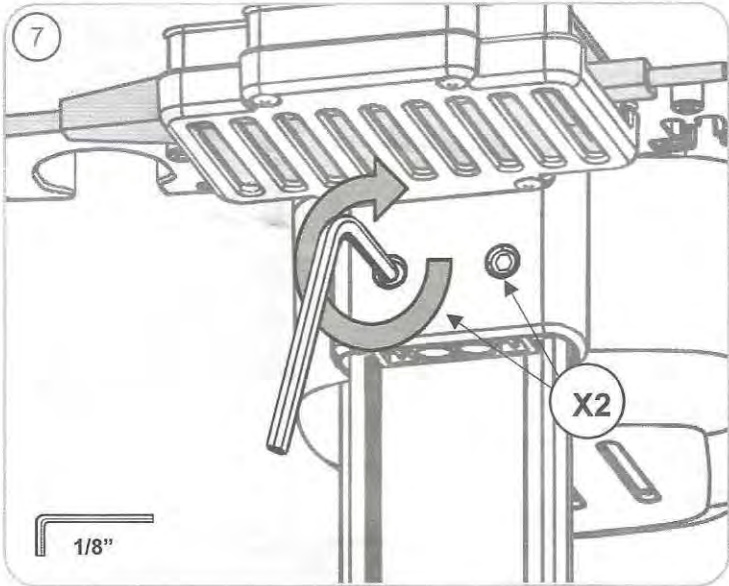
Mounting Solutions

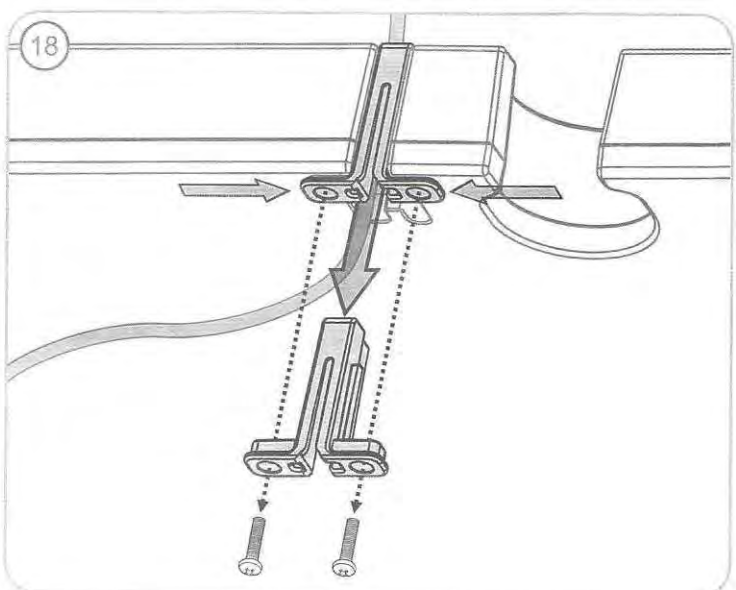
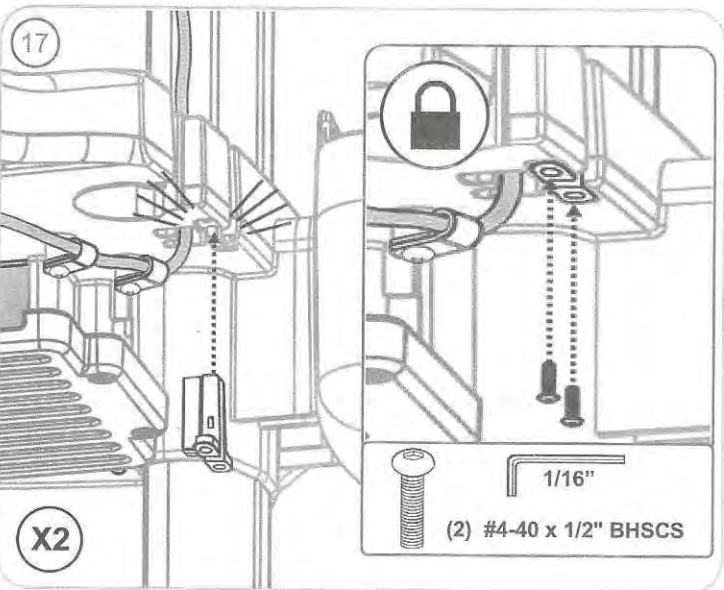
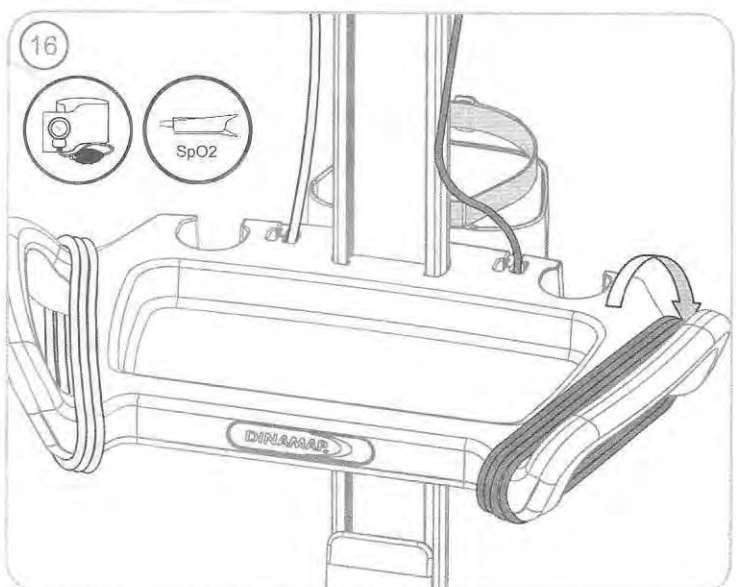
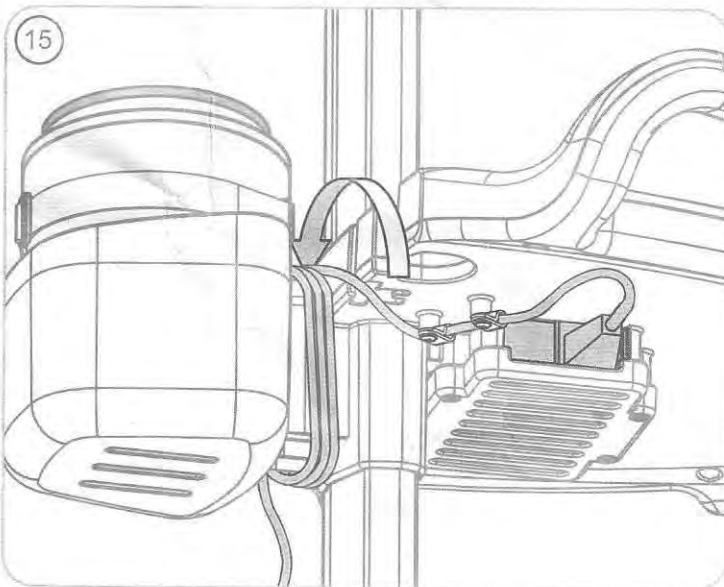
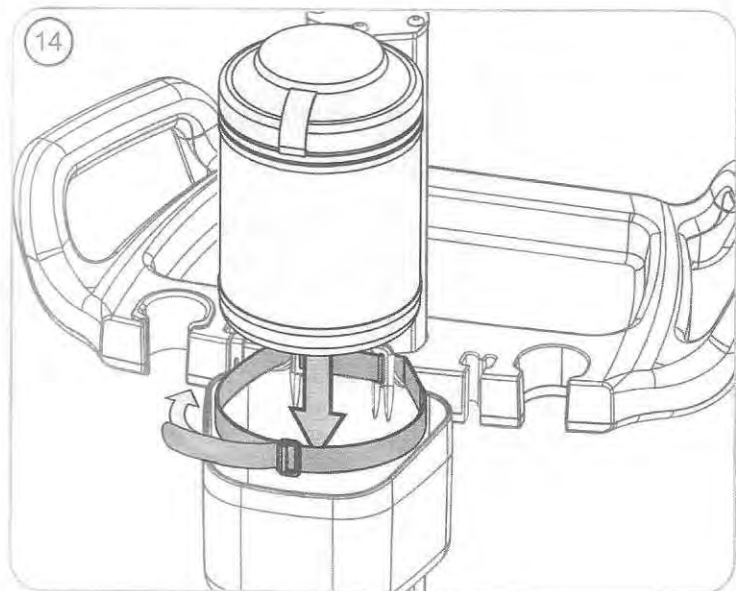
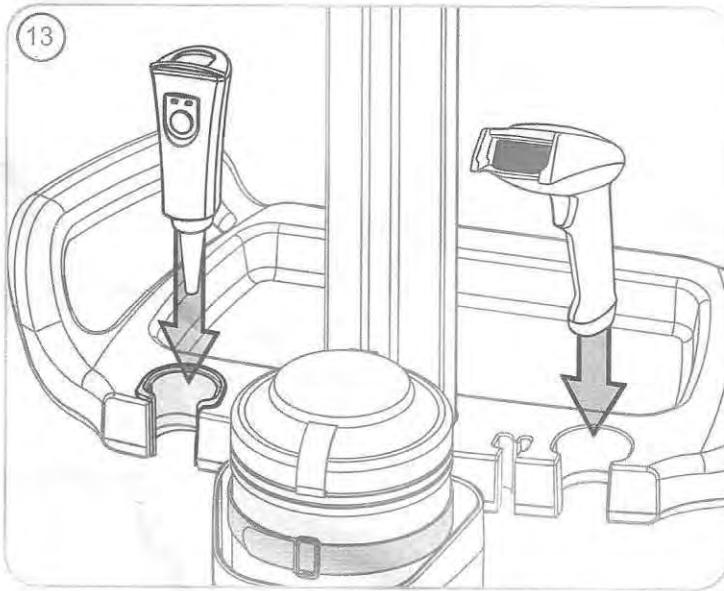
gcx.com | +1 (800) 228-2555 | +1 (707) 773-1100

DU-GEM-0020-61 Rev B 7/2/13 Page 2 of 8

Distributed by GE Medical Systems, Information Technologies, Inc. / GmbH









This rollstand and its accessories may be cleaned with most mild, non-abrasive solutions commonly used in the hospital environment. The below listed agents are known to be compatible with this product. This list is not exhaustive and other non-listed agents may also be found compatible for use.

Water
Mild Soap Solutions
Hydrogen Peroxide Solution, 3%
Iodine Solutions
Bleach Solutions, 10%
Isopropyl Alcohol Solutions, 70%, 91%
QUAT Disinfectants
Cavicide®
Cidex OPA®
Cidex Plus®
Formula 409®
Kleenaseptic®
Lysol® Disinfectant
Sagrotan®
Sani-Cloth® HB
Sporicidin®
Surfanios
Vesphene®
Virex® II 256



The surface finish of this rollstand and its accessories may be permanently damaged by strong chemicals, solvents or abrasives. These listed materials are known to cause probable damage to this product and should not be used. This list is not exhaustive and other non-listed agents may also be found non-suitable for use.

Acetone
Trichloroethylene
Steel wool or other abrasive material
Ethanol 100%
Oxivir® TB

Never submerge the product.

Damage caused by the use of unapproved substances or processes will not be warranted.

NOTE: Refer to the service instructions provided with the mounted GE monitor and monitor accessories for a list of compatible cleaning agents specific to those products.

G CX

Mounting Solutions

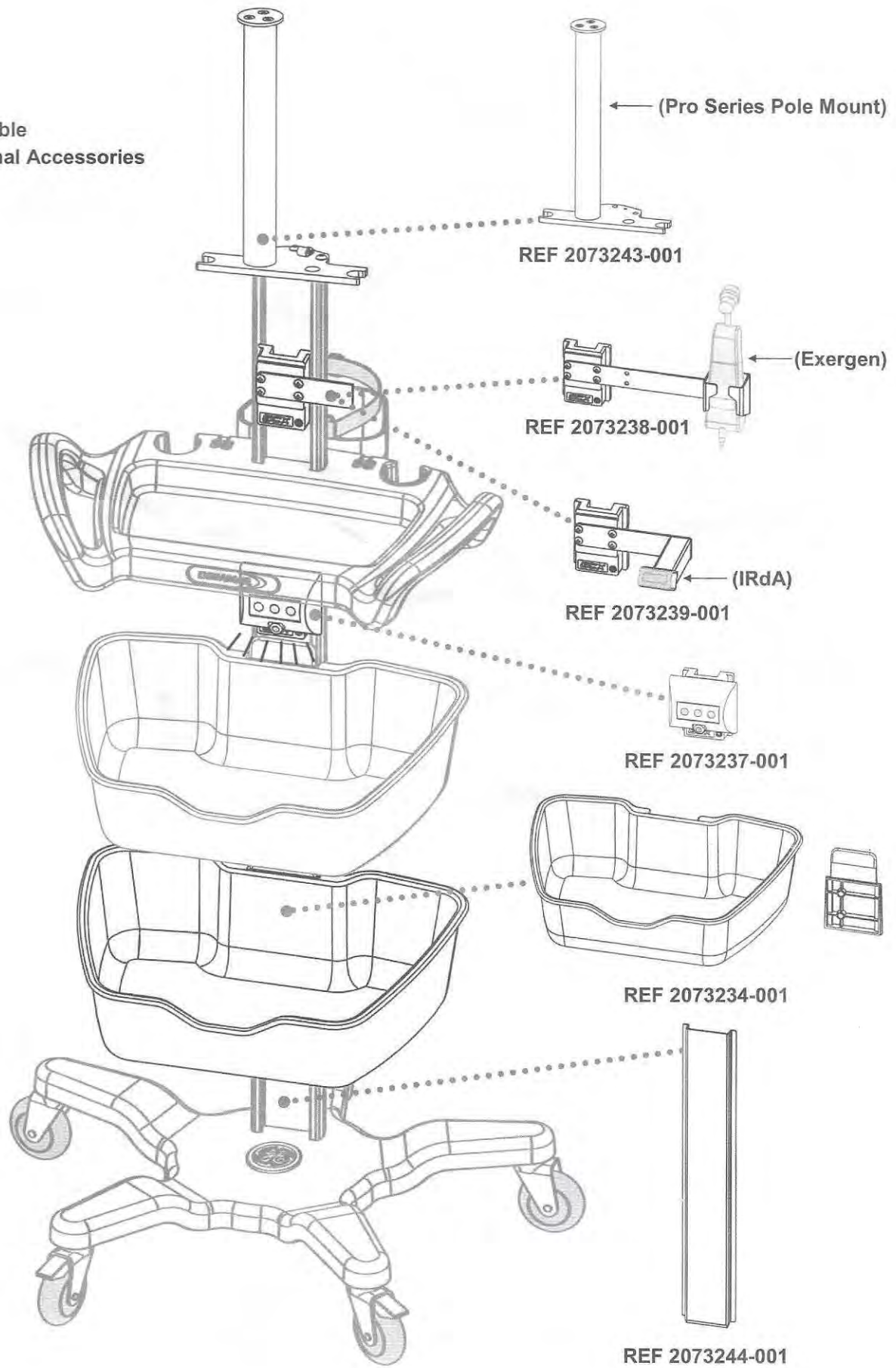
gcx.com | +1 (800) 228-2555 | +1 (707) 773-1100

DU-GEM-0020-61 Rev B 7/2/13 Page 6 of 8

Distributed by GE Medical Systems, Information Technologies, Inc. / GmbH



Available
Optional Accessories

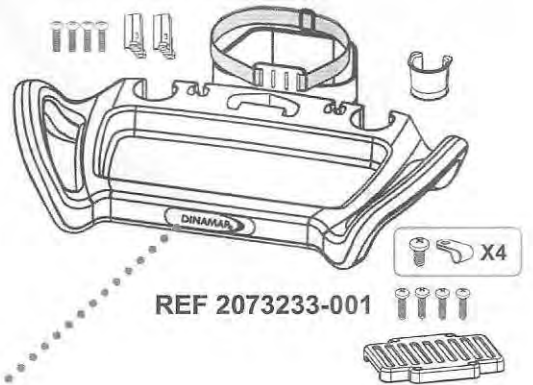




Available
Service FRU Kits



REF 2073232-001

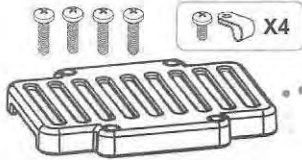


REF 2073233-001



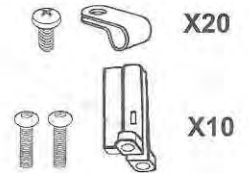
X10

REF 2073236-001



X4

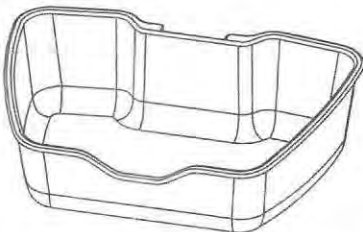
REF 2073241-001



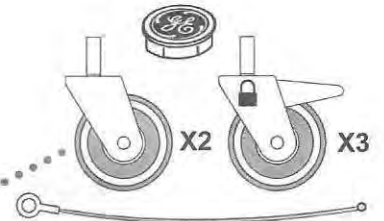
X20

X10

REF 2073235-001



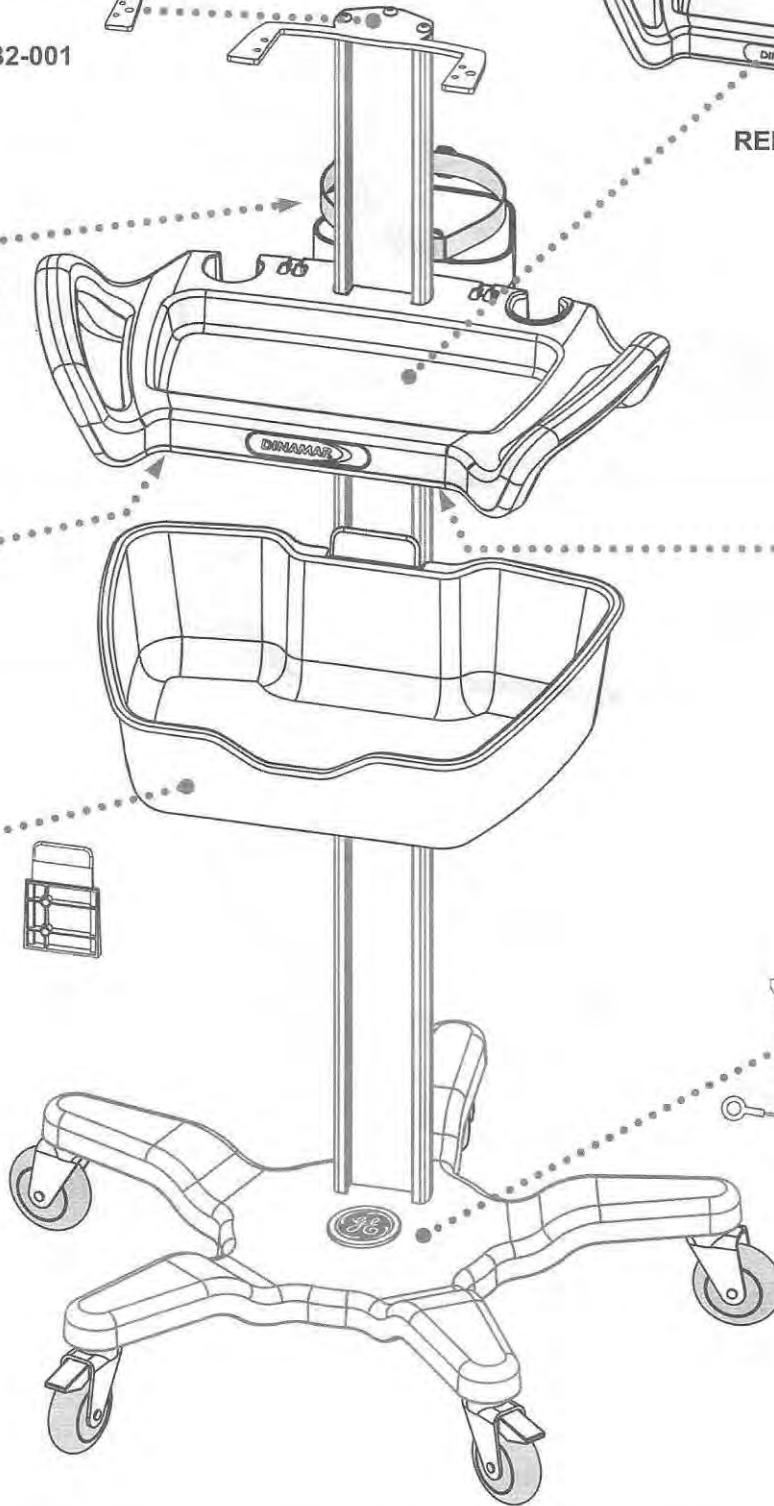
REF 2073234-001



X2

X3

REF 2073240-001



G CX

Mounting Solutions

gcx.com | +1 (800) 228-2555 | +1 (707) 773-1100